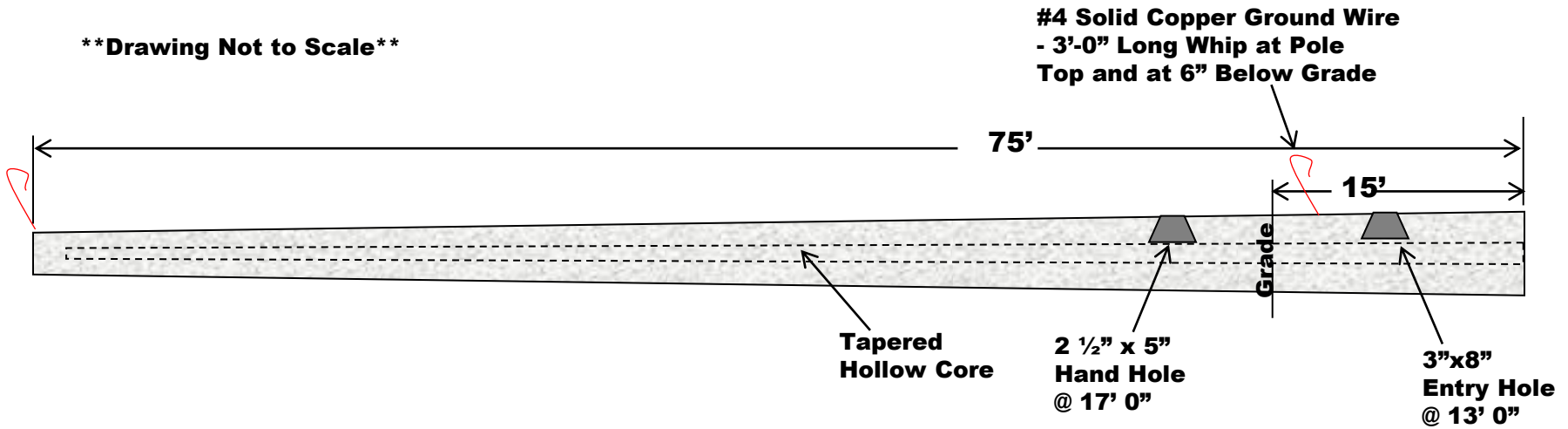


****Drawing Not to Scale****



**#4 Solid Copper Ground Wire
- 3'-0" Long Whip at Pole
Top and at 6" Below Grade**

**Tapered
Hollow Core**

**2 1/2" x 5"
Hand Hole
@ 17' 0"**

**3"x8"
Entry Hole
@ 13' 0"**

Seminole Pole

incorporated

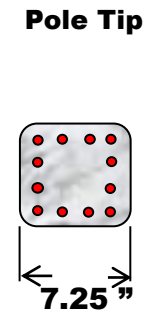
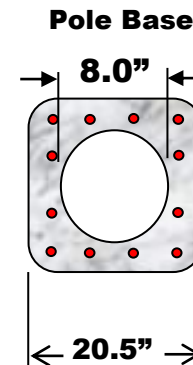
www.SeminolePole.com
Phone: 866-246-5545

Email: SeminolePole@gmail.com
Fax: 229-524-2866

Part#: SP7560TIVNT-G

Project:

| | | | | |
|---------------------------|----------------------------------|-------------------|-------------------------|---------------------|
| Pole O.A. | Burial Depth | Wind Speed | Gust | EPA Capacity |
| 75' | 15' | 140mph | 3 sec. | 9.9 |
| Min. Brk. Strength | Strand Info | Concrete | Pole Weight (lb) | |
| 3,500# | 0.5" Diameter 270 ksi | 6,500psi | 15,000 | |



● = 0.5" Diameter 7 Wire
270k Low Relaxation
Cable

