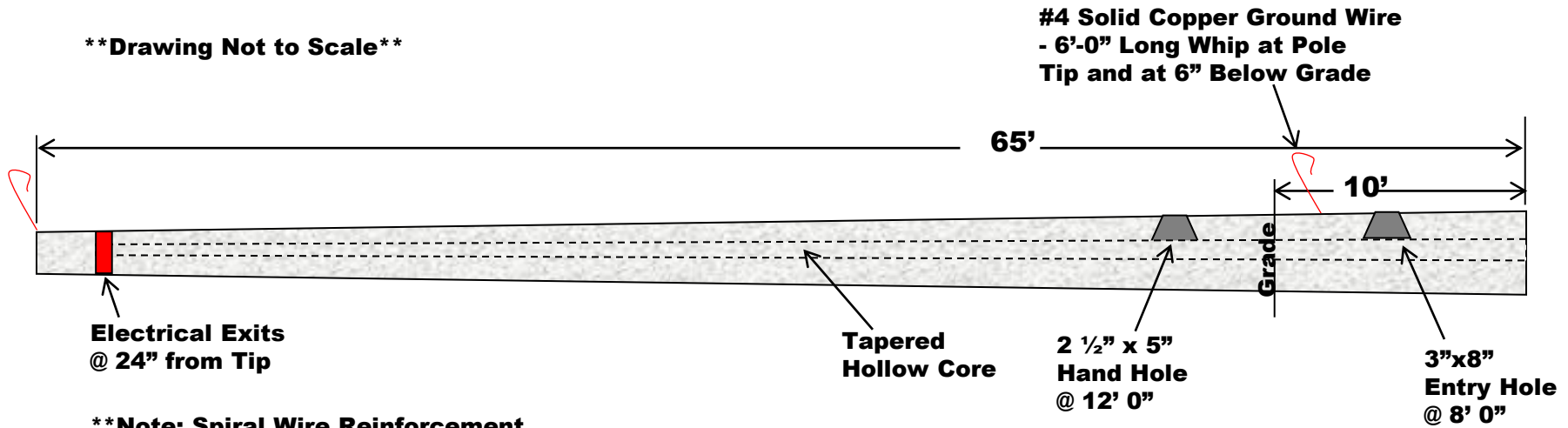


****Drawing Not to Scale****



- **Note: Spiral Wire Reinforcement Omitted for Clarity**
- #5 Gauge Spiral Wire Cast into Pole
 - 12 Turn @ 2" Pitch for 2' of Tip
 - Balance @ 6" Pitch
 - End Spiral @ 1.5" from Base and Tip

Seminole Pole

incorporated

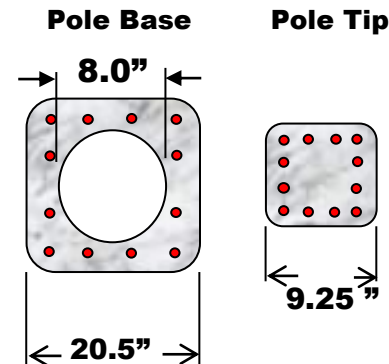
www.SeminolePole.com
Phone: 866-246-5545

Email: SeminolePole@gmail.com
Fax: 229-524-2866

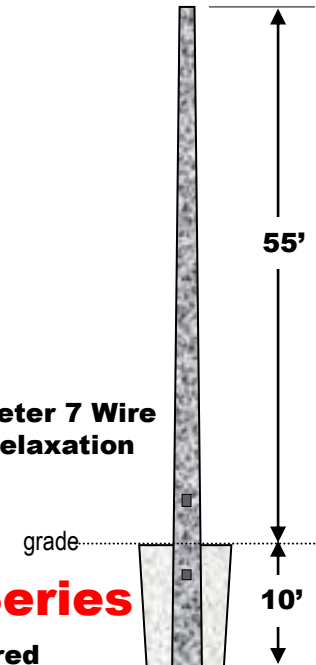
Part#: SP6555SLP-V-G

Project:

Pole O.A.	Burial Depth	Wind Speed	Gust	EPA Capacity
65'	10'	140mph	3 sec.	20.0
Min. Brk. Strength	Strand Info	Concrete	Pole Weight (lb)	
3,500#	0.5" Diameter 270 ksi	6,500psi	13,000	



• = 0.5" Diameter 7 Wire
270k Low Relaxation
Cable



Sports Lighting Series

*Minimum 36" Diameter Augered
Hole Backfilled with Concrete