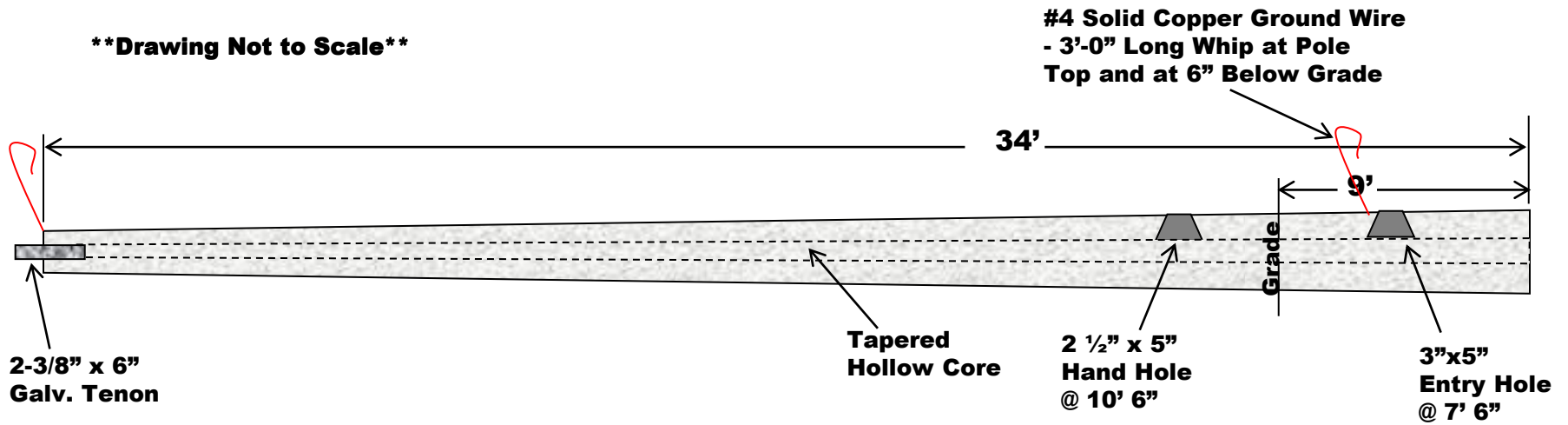


****Drawing Not to Scale****



Seminole Pole

incorporated

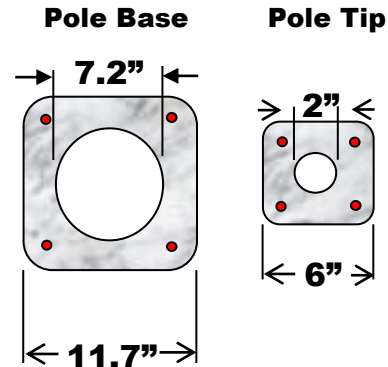
www.SeminolePole.com
 Phone: 866-246-5545

Email: SeminolePole@gmail.com
 Fax: 229-524-2866

Part#: SP3425TIIG

Project:

Pole O.A.	Burial Depth	Wind Speed	Gust	EPA Capacity
34'	9'	140mph	3 sec.	11.0
Min. Brk. Strength	Strand Info	Concrete	Pole Weight (lb)	
3,500#	0.5" Diameter 270 ksi	6,500psi	2,000	



• =0.5" Diameter 7 Wire
 270k Low Relaxation
 Cable

