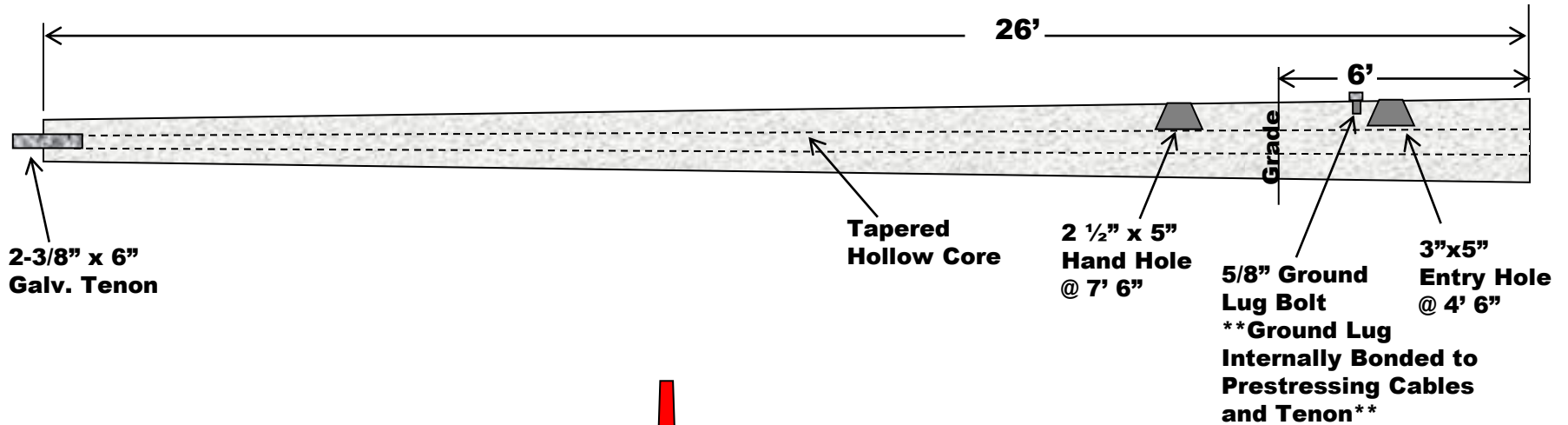


**\*\*Drawing Not to Scale\*\***

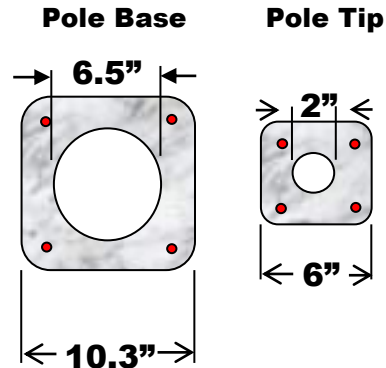


# Seminole Pole

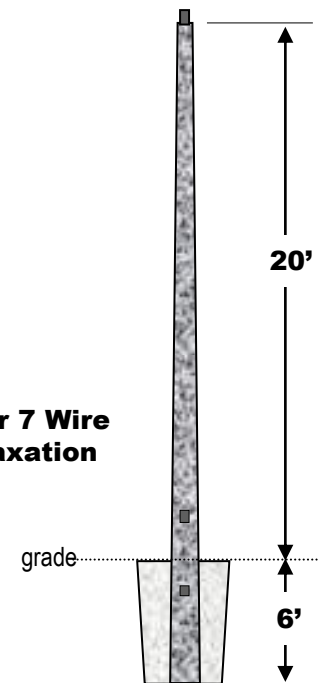
## incorporated

www.SeminolePole.com  
Phone: 866-246-5545

Email: SeminolePole@gmail.com  
Fax: 229-524-2866



• =0.5" Diameter 7 Wire  
270k Low Relaxation  
Cable



**Part#: SP2620TII**

**Project:**

Pole O.A.	Burial Depth	Wind Speed	Gust	EPA Capacity
<b>26'</b>	<b>6'</b>	<b>140mph</b>	<b>3 sec.</b>	<b>8.0</b>
Min. Brk. Strength	Strand Info	Concrete	Pole Weight (lb)	
<b>3,500#</b>	<b>0.5" Diameter 270 ksi</b>	<b>6,500psi</b>	<b>1,500</b>	