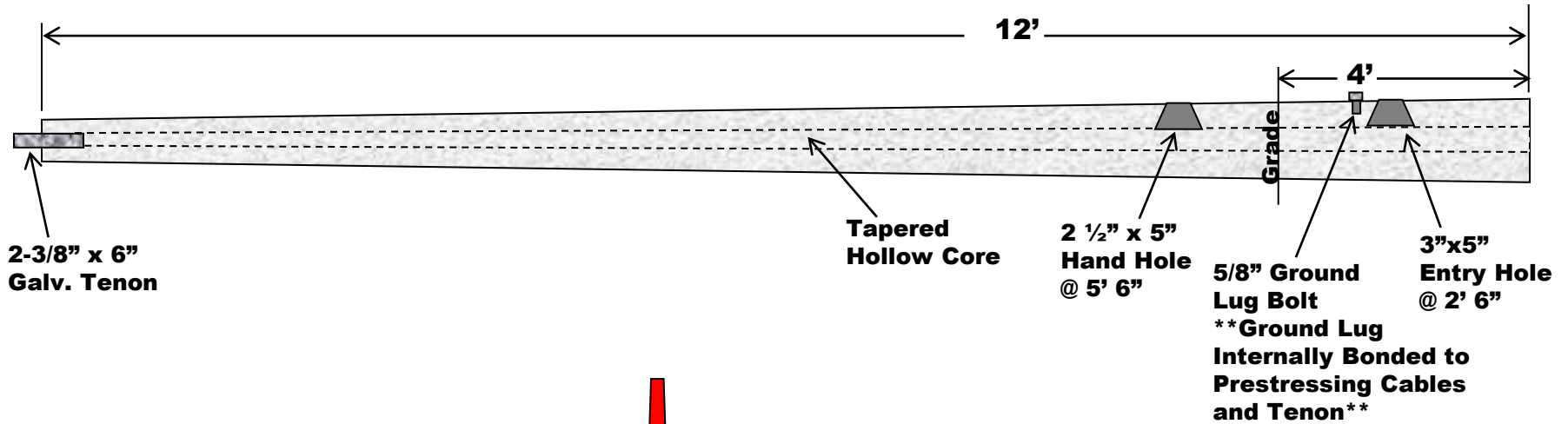


**\*\*Drawing Not to Scale\*\***



# Seminole Pole

## incorporated

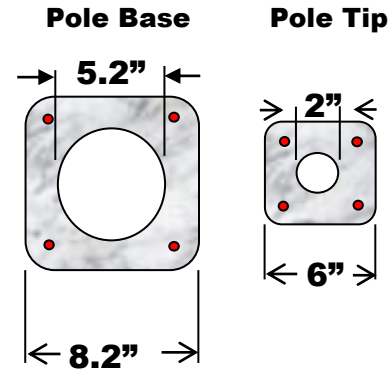
www.SeminolePole.com  
Phone: 866-246-5545

Email: SeminolePole@gmail.com  
Fax: 229-524-2866

**Part#: SP1208TII**

### Project:

<b>Pole O.A.</b>	<b>Burial Depth</b>	<b>Wind Speed</b>	<b>Gust</b>	<b>EPA Capacity</b>
<b>12'</b>	<b>4'</b>	<b>140mph</b>	<b>3 sec.</b>	<b>5.0</b>
<b>Min. Brk. Strength</b>	<b>Strand Info</b>	<b>Concrete</b>	<b>Pole Weight (lb)</b>	
<b>3,500#</b>	<b>0.5" Diameter 270 ksi</b>	<b>6,500psi</b>	<b>700</b>	



• =0.5" Diameter 7 Wire  
270k Low Relaxation  
Cable

